

⚡ Specifications

Nominal Voltage(V)

12V

Nominal Capacity

20 hour rate	(1.3A to 10.50V)	26Ah
10 hour rate	(2.47A to 10.50V)	24.7Ah
5 hour rate	(4.42A to 10.20V)	22.1Ah
1C	(26A to 9.60V)	16.47Ah
3C	(78A to 9.60V)	10.4Ah

Weight

Approx. 8.5kg(18.7Lbs.)

Internal Resistance (at 1KHz)

Approx. 7 mΩ

Maximum Discharge Current for

5 seconds:390A

Charging Methods at 25°C (77°F)

Maximum Charging Current :	7.8A
Standby use:	
Float Charging Voltage	13.5 to 13.8V
Coefficient -3.0mV/°C/cell	

Operating Temperature Range

Charge	-15°C(5°F) to 40°C(104°F)
Discharge	-15°C(5°F) to 50°C(122°F)
Storage	-15°C(5°F) to 40°C(104°F)

Charge Retention (shelf life) at 20°C(68°F)

1 month	97%
3 month	92%
6 month	85%

Case Material

ABS UL94 HB
Option: Flammability resistance of (UL94 V-0)

Design Life & Standard

EUROBAT (20°C):10/12 YEARS LONG LIFE

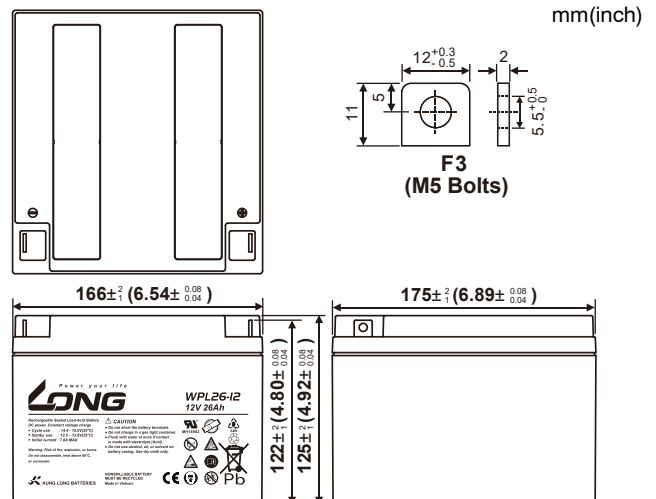
Terminal

F3

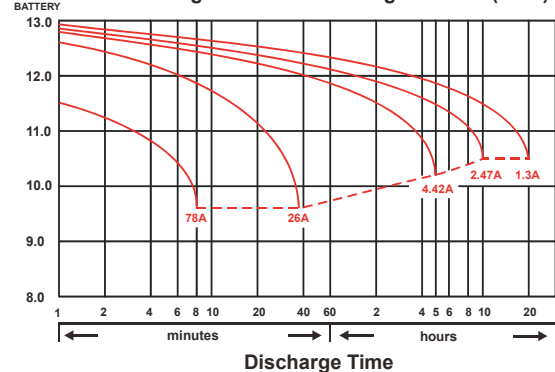


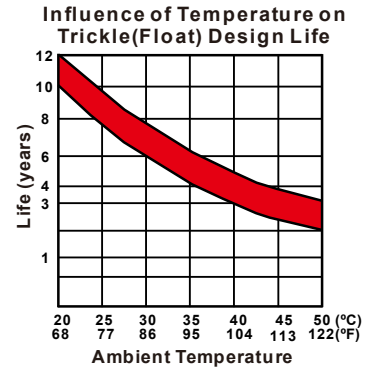
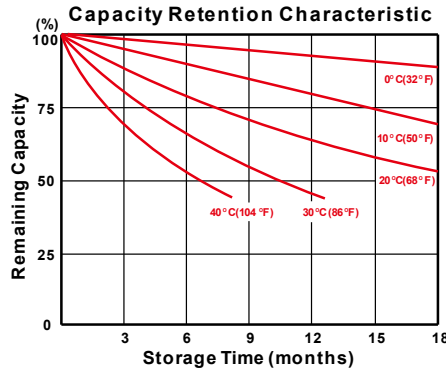
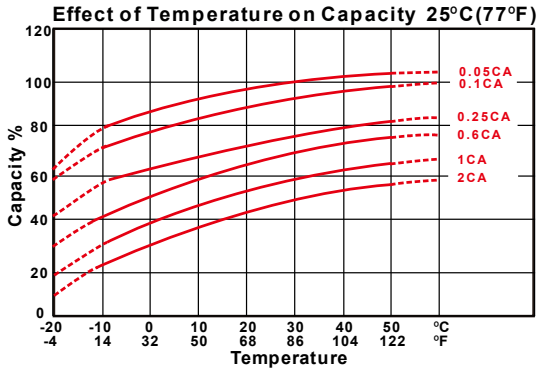
⚡ Dimensions

Length (L)	166± ² ₁ (6.54± ^{0.08} _{0.04})
Width (W)	175± ² ₁ (6.89± ^{0.08} _{0.04})
Height (H)	125± ² ₁ (4.92± ^{0.08} _{0.04})
Overall Height (HT)	125± ² ₁ (4.92± ^{0.08} _{0.04})



(V) FOR 12V BATTERY Discharge Time VS. Discharge Current (25°C)





- PERFORMANCE DATA

Discharge Rates in Watts to Various End Voltages at 25°C(77°F)

End Voltage		1.85V	1.80V	1.75V	1.70V	1.67V	1.65V	1.60V
5	min	143	164	175	185	192	196	198
10	min	105	115	124	129	132	134	135
15	min	85.0	96.5	100	102	103	104	105
30	min	53.3	62.5	64.0	65.0	65.8	66.3	66.8
45	min	39.5	47.0	47.5	47.8	48.0	48.1	48.2
60	min	31.8	37.0	37.3	37.5	37.6	37.7	37.8
120	min	17.8	19.7	20.0	20.2	20.3	20.4	20.5
180	min	12.3	13.1	13.5	13.6	13.7	13.8	13.8
240	min	9.32	10.3	10.5	10.6	10.7	10.8	10.8
300	min	7.78	8.44	8.55	8.59	8.62	8.64	8.65
360	min	6.70	7.19	7.25	7.28	7.30	7.31	7.32
480	min	5.35	5.69	5.73	5.75	5.76	5.77	5.77
600	min	4.45	4.75	4.85	4.87	4.88	4.89	4.90
1200	min	2.62	2.68	2.74	2.77	2.79	2.81	2.83

- Discharge Rates in Amperes to Various End Voltages at 25°C(77°F)

End Voltage		1.85V	1.80V	1.75V	1.70V	1.67V	1.65V	1.60V
5	min	69.2	80.8	88.5	96.0	101	104	107
10	min	50.5	56.5	61.0	65.0	67.5	69.0	70.0
15	min	40.8	47.0	49.5	51.5	53.0	53.5	54.0
30	min	25.3	30.0	31.0	31.7	32.2	32.7	33.0
45	min	18.8	22.3	23.0	23.4	23.6	23.8	24.0
60	min	15.0	17.5	17.8	18.0	18.2	18.4	18.5
120	min	8.30	9.22	9.35	9.45	9.53	9.61	9.68
180	min	5.75	6.13	6.50	6.65	6.68	6.71	6.73
240	min	4.50	4.90	5.00	5.10	5.15	5.18	5.20
300	min	3.75	4.00	4.20	4.35	4.45	4.48	4.50
360	min	3.25	3.47	3.52	3.55	3.57	3.59	3.60
480	min	2.60	2.75	2.78	2.83	2.86	2.88	2.90
600	min	2.20	2.40	2.60	2.62	2.63	2.64	2.65
1200	min	1.29	1.33	1.36	1.38	1.40	1.41	1.42

All data on the spec. sheet is an average value:

The tolerance range : $X < 6\text{min}$ (+15%~-15%), $6\text{min} \leq X < 10\text{min}$ (+12%~-12%), $10\text{min} \leq X < 60\text{min}$ (+8%~-8%), $X \geq 60\text{min}$ (+5%~-5%)

201224-1B