

⚡ Specifications

Nominal Voltage(V)

2V

Nominal Capacity at 25°C(77°F)

10 hour rate	(30A to 1.80V)	300Ah
5 hour rate	(51A to 1.70V)	255Ah
1 hour rate	(180A to 1.60V)	180Ah
1C	(300A to 1.60V)	150Ah

Weight

Approx. 21.2kg(46.64Lbs.)

Internal Resistance (at 1KHz) at 25°C(77°F)

Approx. 0.41 mΩ

Maximum Discharge Current for 5 sec

5 seconds: 2400A

Maximum Short circuit current (IEC 60896)

4400A

Charging Methods at 25°C(77°F)

Maximum Charging Current :	90A
Boost Charging Voltage	2.35 to 2.40V
Boost Charge Time	8-9Hr
Float Charging Voltage	2.25 to 2.30V
Coefficient	-3.0mV/°C/cell

Operating Temperature Range

Charge	-15°C(5°F)	to	40°C(104°F)
Discharge	-15°C(5°F)	to	50°C(122°F)
Storage	-15°C(5°F)	to	40°C(104°F)

Charge Retention (shelf life) at 25°C(77°F)

1 month	98%
3 month	94%
6 month	88%

Case Material

ABS UL94 HB

Option: Flammability resistance of (UL94 V-0)

Design Life

Expected Trickle Design Life: 12-15 years at 20°C according to Eurobat.

Terminal

F18

Battery Construction

Positive Plate	Negative plate	Electrolyte	Terminal	Safety valve	Separator
Lead dioxide	Lead	Sulfuric acid	Copper	Rubber	AGM



⚡ Dimensions

Length (L) 170±3 (6.69±0.12)

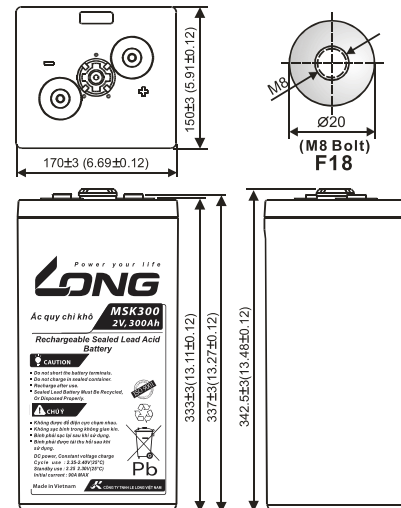
Width (W) 150±3 (5.91±0.12)

Height (H) 333±3 (13.11±0.12)

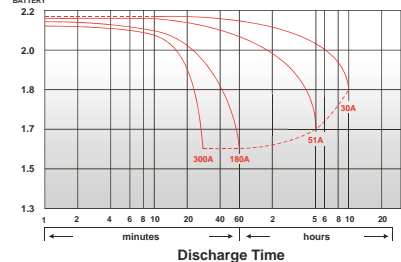
Overall Height (HT) 342.5±3 (13.48±0.12)

Description of torque value of hard ware for the terminals:

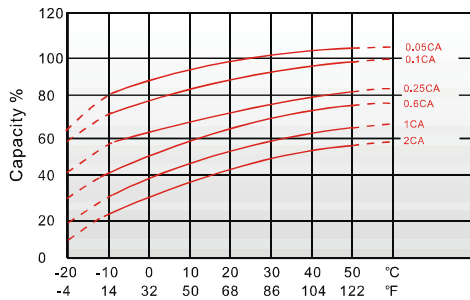
Recommended torque value M8:12 N-m (122kgf-cm)
 Maximum allowable torque value M8:20 N-m (204kgf-cm)
 mm(inch)



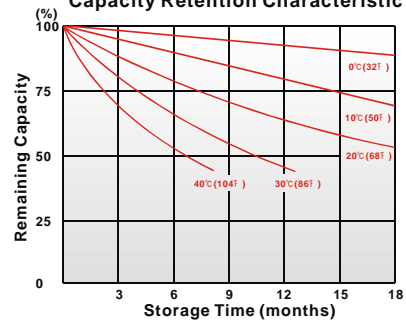
(v) Discharge Time VS. Discharge Current (25°C)



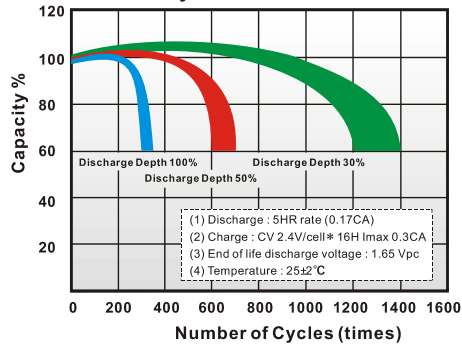
Effect of Temperature on Capacity 25°C(77°F)



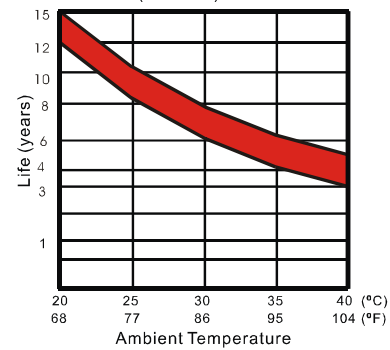
Capacity Retention Characteristic



Cycle Service Life



Trickle (or float) Service Life



- PERFORMANCE DATA

Discharge Rates in Watts to Various End Voltages at 25°C(77°F)

End Voltage		1.85V	1.80V	1.75V	1.70V	1.65V	1.60V
Time							
5	min	1585	1610	1636	1644	1649	1652
10	min	1140	1175	1210	1240	1260	1280
15	min	701	749	796	841	876	912
20	min	516	578	613	644	671	692
30	min	490	540	585	605	615	610
60	min	300	308	316	332	345	354
120	min	167	178	188	197	205	211
180	min	127	136	144	151	158	163
240	min	108	115	120	125	129	132
300	min	95.7	101	105	109	112	114
360	min	84.7	89.4	92.6	95.2	97.1	98.6
480	min	67.6	70.9	73.5	75.7	77.3	78.4
600	min	56.7	59.6	61.8	63.6	64.9	65.7
1200	min	30.2	31.5	32.4	33.2	34.0	34.5

- Discharge Rates in Amperes to Various End Voltages at 25°C(77°F)

End Voltage		1.85V	1.80V	1.75V	1.70V	1.65V	1.60V
Time							
5	min	835	870	901	931	961	960
10	min	600	630	660	690	715	735
15	min	362	392	421	451	481	512
20	min	246	288	317	345	368	381
30	min	250	280	305	325	335	340
60	min	150	158	165	176	183	189
120	min	92.9	97.3	102	106	110	113
180	min	68.5	73.2	76.1	78.8	81.4	83.8
240	min	54.1	57.7	60.3	62.5	64.6	66.4
300	min	46.6	49.5	51.6	53.4	55.1	56.5
360	min	40.2	42.6	44.7	46.6	48.1	49.2
480	min	33.4	35.1	36.3	37.4	38.2	39.0
600	min	29.1	30.2	31.1	31.8	32.4	32.9
1200	min	14.9	15.6	16.1	16.6	17.0	17.3

All data on the spec. sheet is an average value:

The tolerance range : $X < 6\text{min}$ (+15%~-15%), $6\text{min} \leq X < 10\text{min}$ (+12%~-12%), $10\text{min} \leq X < 60\text{min}$ (+8%~-8%), $X \geq 60\text{min}$ (+5%~-5%)

240823-1A-VNM0453